

Technical Characteristics

- Patented high speed motor (VFD integrated)
- Compact & light weight
- MODBUS compatible
- 18,000 hours maintenance free

Electric Motor

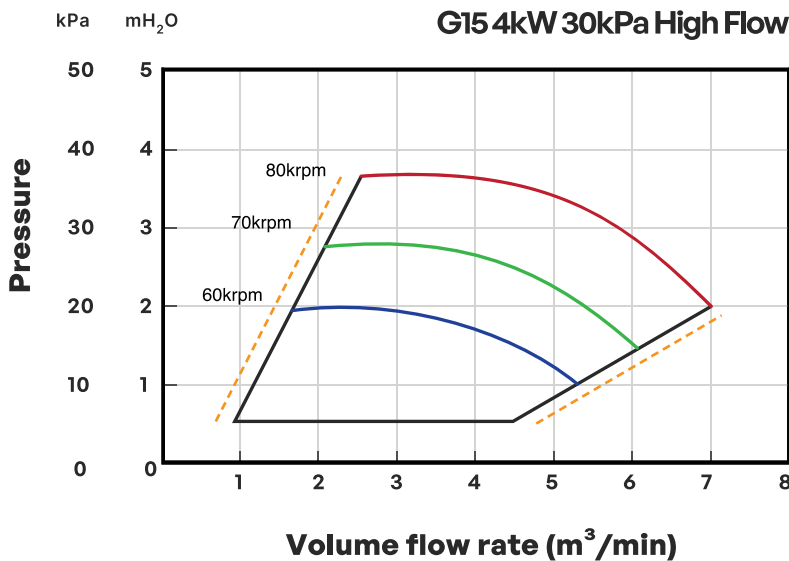
- Insulation Class H
- VFD/VSD Integrated
- Adjust speed instantly via HMI or MODBUS 3rd party PLC
- IP65

Options

- Single or 3Ph power
- 50 or 60Hz

| Rpm | Pressure | | | | | | | | | | | | | | | | | |
|-----|---------------------------------|------------|---------------------------------|------------|---------------------------------|------------|---------------------------------|------------|---------------------------------|------------|---------------------------------|------------|---------------------------------|------------|---------------------------------|------------|---------------------------------|------------|
| | 10kPa | | 15kPa | | 20kPa | | 25kPa | | 30kPa | | 35kPa | | 40kPa | | 45kPa | | 50kPa | |
| | Flow Rate (m ³ /min) | Power (kW) | Flow Rate (m ³ /min) | Power (kW) | Flow Rate (m ³ /min) | Power (kW) | Flow Rate (m ³ /min) | Power (kW) | Flow Rate (m ³ /min) | Power (kW) | Flow Rate (m ³ /min) | Power (kW) | Flow Rate (m ³ /min) | Power (kW) | Flow Rate (m ³ /min) | Power (kW) | Flow Rate (m ³ /min) | Power (kW) |
| 60k | | | 4.40 | 1.56 | 2.80 | 1.28 | | | | | | | | | | | | |
| 65k | | | 5.50 | 1.94 | 4.70 | 1.94 | | | | | | | | | | | | |
| 70k | | | | | 5.50 | 2.50 | 4.60 | 2.33 | | | | | | | | | | |
| 75k | | | | | | | 5.90 | 3.06 | 4.80 | 2.89 | | | | | | | | |
| 80k | | | | | | | 6.67 | 3.78 | 5.80 | 3.67 | 4.90 | 3.39 | | | | | | |

Performance Range



Get Smart About Energy – Scan for Your Savings.

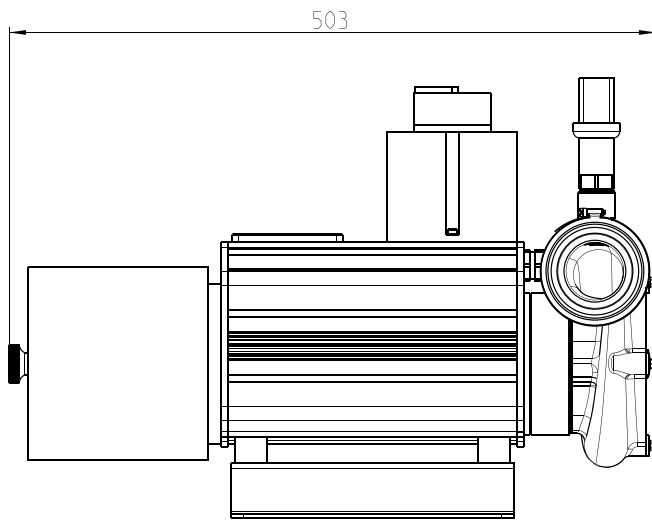
for more information visit
www.sprintex.com.au
www.smartaeration.au



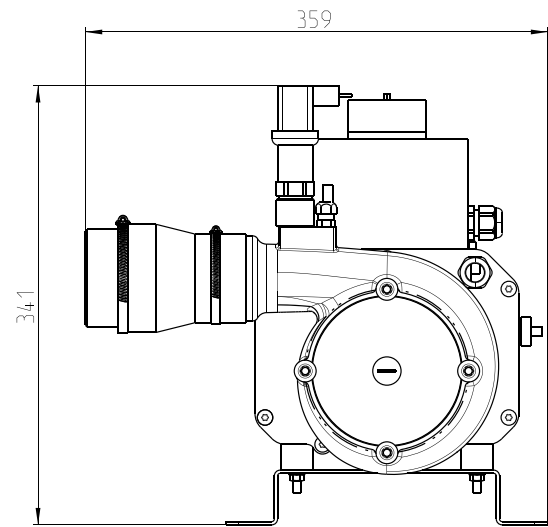
| Model | Max. Pressure kPa gauge | Max. Flow Rate m ³ /min | Max. Flow Rate m ³ /h | Max. Speed rpm | Rated Power kW | Dimensions W x D x H mm | Compressed Air Connection Φ mm Hose Clamp | Max. Sound Pressure Level dB(A) | Mass kg |
|----------------------------|----------------------------|--|--|----------------------|----------------------|-------------------------------|---|---------------------------------------|------------|
| G15 4kW 30kPa High Flow | 40 | 6.8 | 408 | 80,000 | 4 | 503 x 359 x 341 | 58 | 72 | 11.8 |

Dimensions

Front View



Side View



Top View

